

GENERAL PURPOSE SIGNALING BELLS IBA-AC



Sizes Available: 6 inch (150mm), 8 inch (200mm), 10 inch (250mm)

Voltages Available: 24 VAC

Service Use: General Signaling

Environment: Indoor

Termination: 2 No. 18 AWG stranded wires

Finish: Gray powder coating

Material: Cast Metal

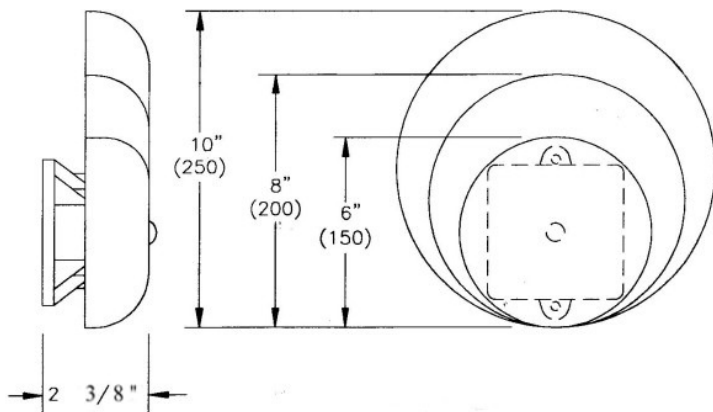
Operation: Motor Driven

These vibrating type bells are designed for use as general signaling devices. They have low power consumption and high decibel ratings, when compared to bells of similar size. These bells are constructed of heavy steel cast gongs and are motor driven rather than coil, giving them lower power consumption and maximum sound output. The unit mounts on a standard 4 inch (101mm) square electrical box

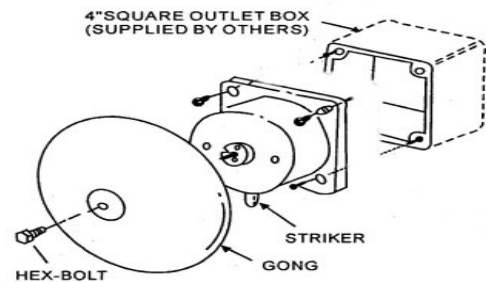
6" BELL SHOWN

SIZE INCHES (mm)	VOLTAGE	MODEL NO.	CURRENT (MAX.)	TYPICAL dB at 10 ft. (3m)
6 (150)	24 VAC	IBA-246	25 mA	92
8 (200)	24 VAC	IBA-248	25 mA	95
10 (250)	24 VAC	IBA-2410	25 mA	97

DIMENSIONS



INSTALLATION DETAILS



ECP Time Equipment Ltd. 193 Mary Street North, Hamilton, Ontario, Canada, L8L 4V9

Toll Free Tel: 1-888-327-8463 Toll Free Fax: 1-888-619-9773

Website: www.ecpplus.com email: info@ecpplus.com